

# VersaPusher

exclusive to

# SPOSgroup

A leading provider of retail marketing solutions

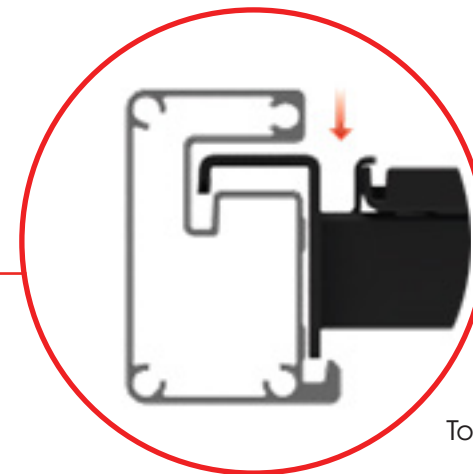
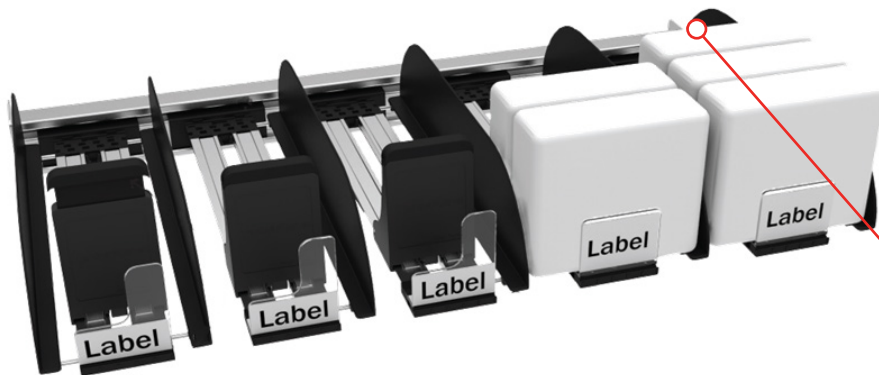
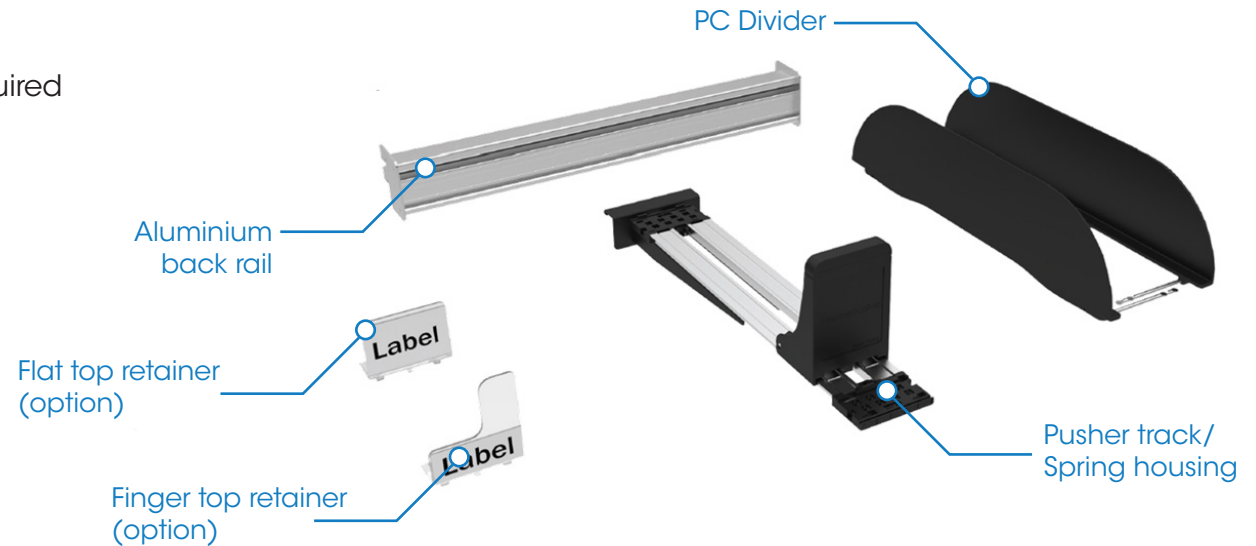
*"We design, make, procure, sell, manage & supply the products  
that sell your products"*

# Organised - Effective - Profitable

Introducing the VersaPusher, a versatile fronting merchandiser.

## Hanging Version

- Components install onto back back - no shelf required
- Aluminium tracks deliver efficient fronting
- Durable construction
- Dividers easily adjust to suit 120mm - 200mm wide packages
- Expandable pusher housing
- Easy installation



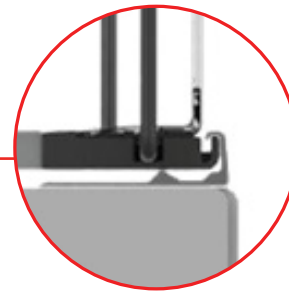
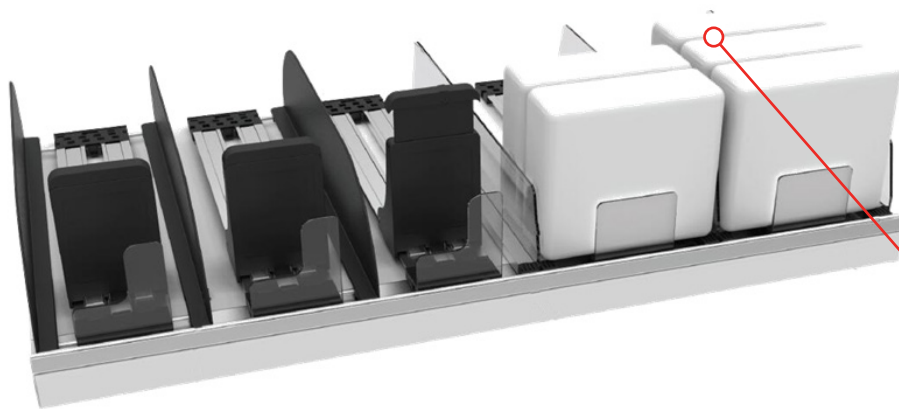
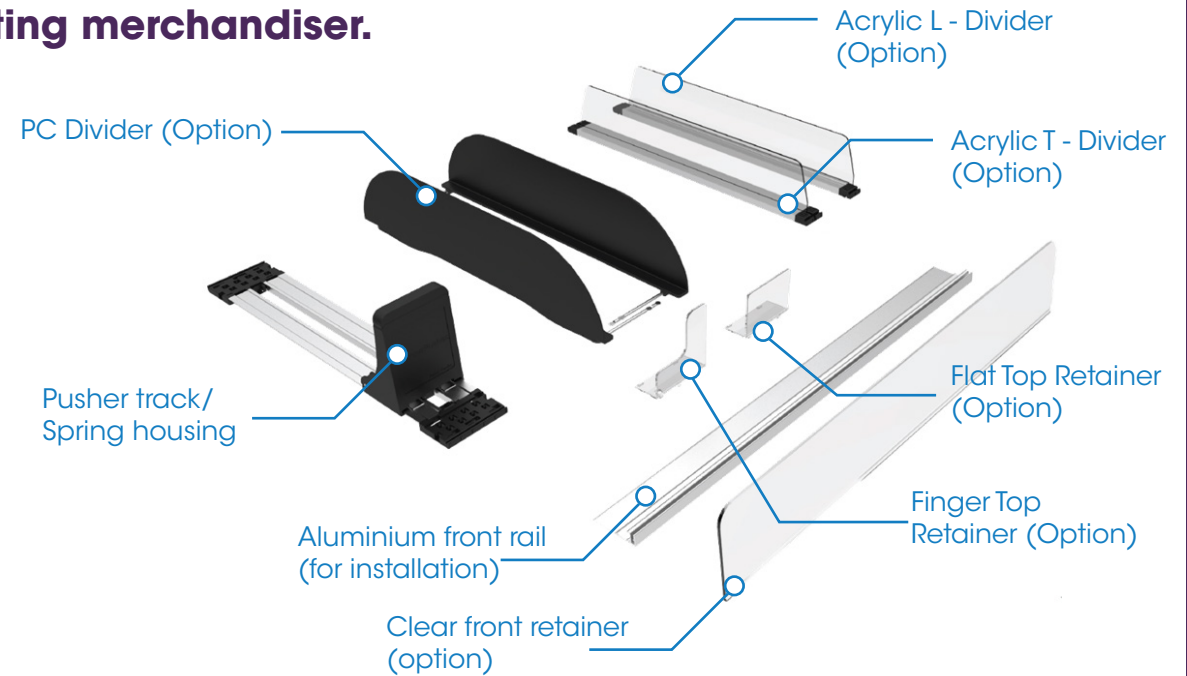
Toolless Construction

# Organised - Effective - Profitable

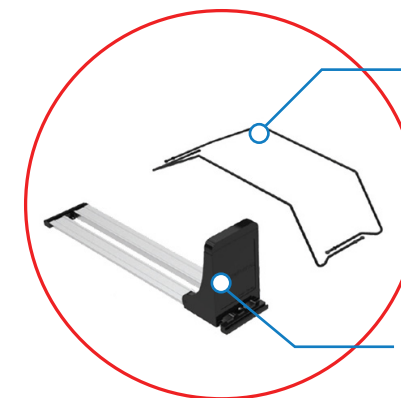
Introducing the VersaPusher, a versatile fronting merchandiser.

## Shelf Version

- Space management on shelves, in coolers and freezers
- Aluminium tracks deliver efficient fronting
- Durable construction
- Dividers easily adjust to suit 120mm - 200mm wide packages (Available as PC or Rail)
- Expandable pusher housing
- All components attach to front rail for easy installation and lane adjustment



Toolless Construction



Rail Divider (Option)

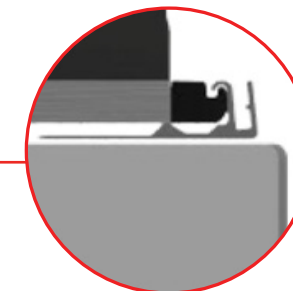
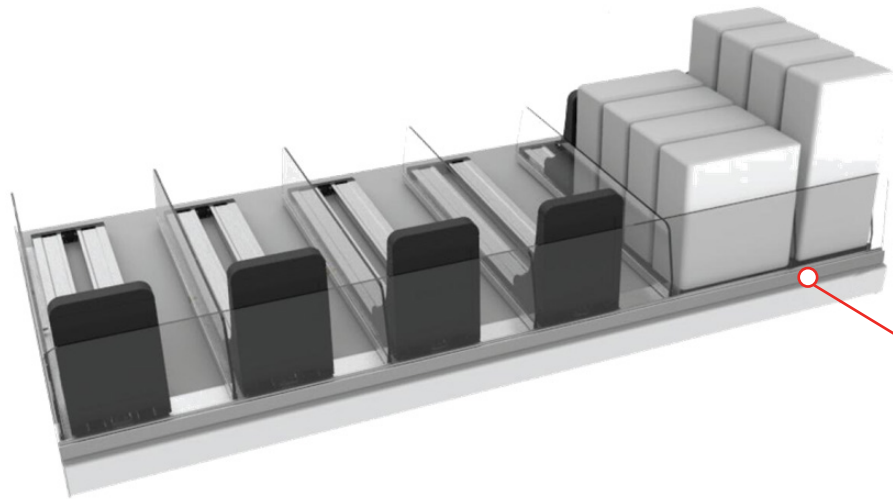
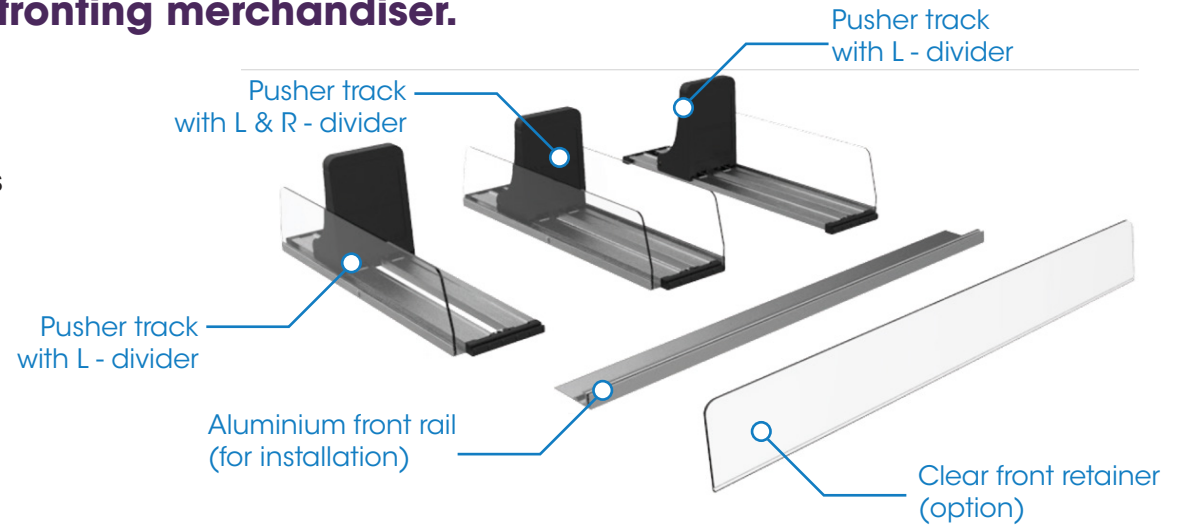
Short End Cap Pusher track/Spring Housing

# Organised - Effective - Profitable

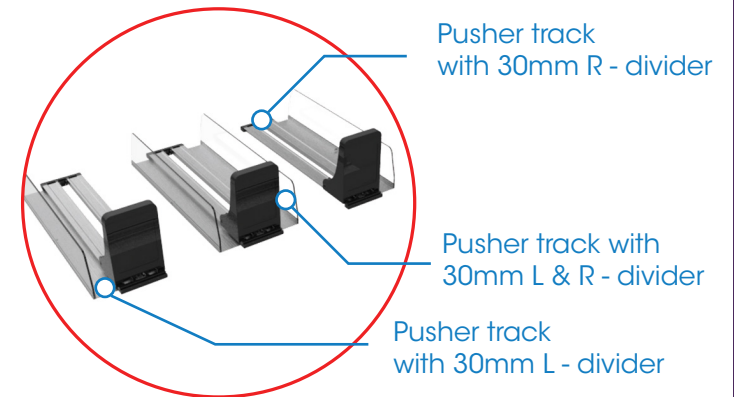
Introducing the VersaPusher, a versatile fronting merchandiser.

## Integrated Divider Version

- Space Management on shelves, in coolers and freezers
- Aluminium tracks deliver efficient fronting
- Durable construction
- Integrated divider (Track width or 30mm)
- All components attach to front rail for easy installation and lane adjustment



Tooless Construction

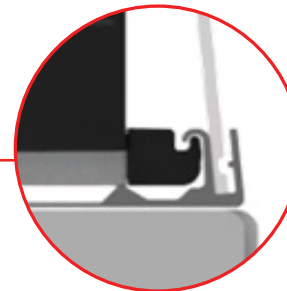
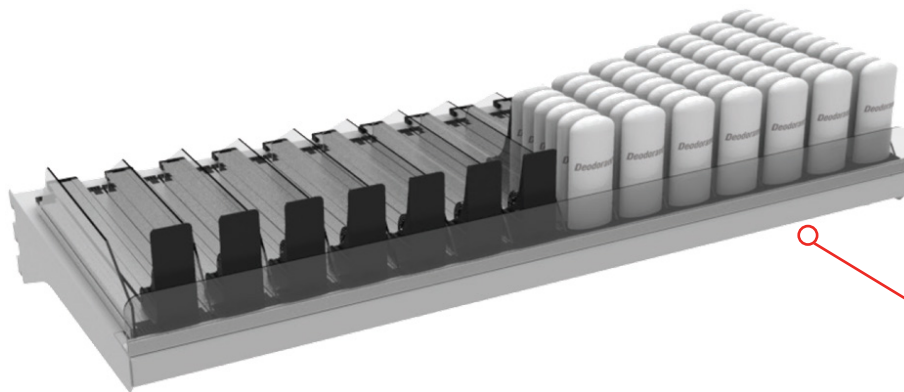
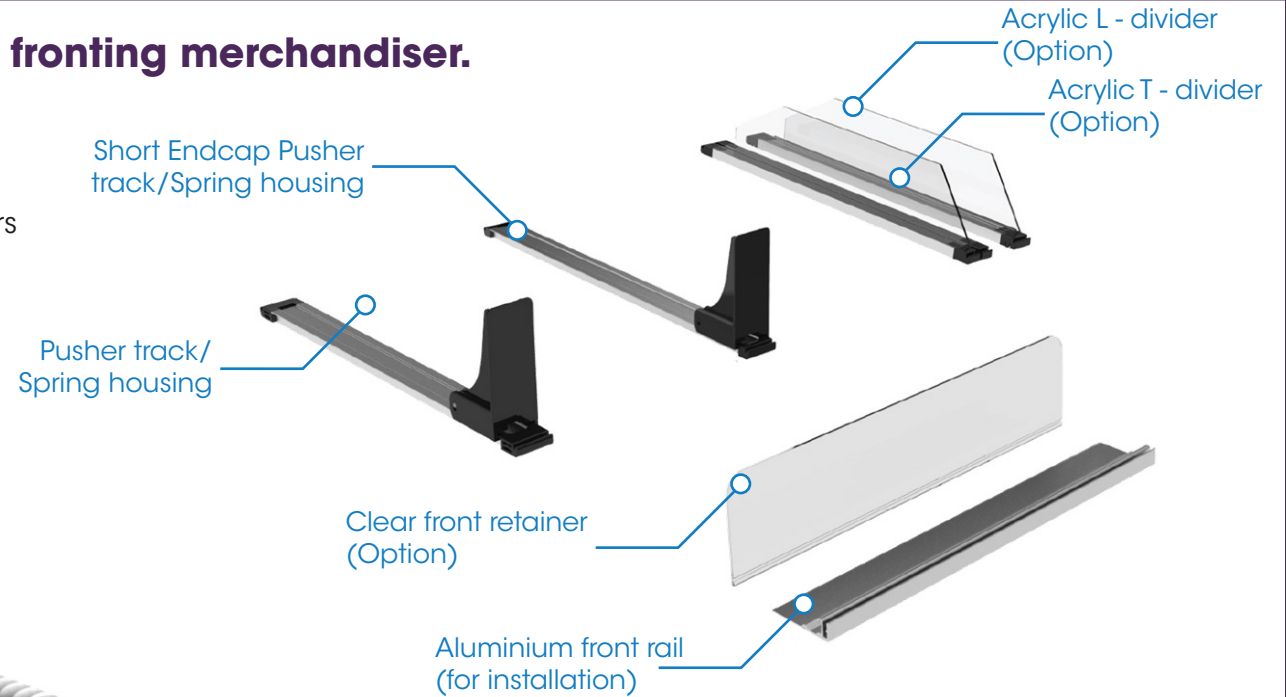


# Organised - Effective - Profitable

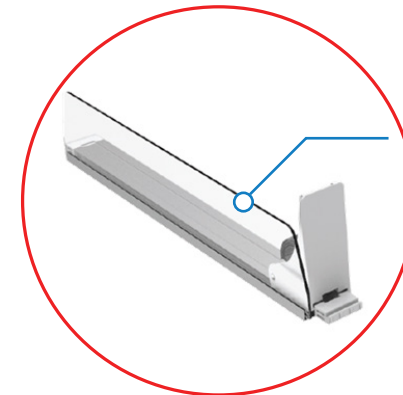
Introducing the **VersaPusher**, a versatile fronting merchandiser.

## Micro Version

- Space Management on shelves, in coolers and freezers
- Aluminium tracks deliver efficient fronting
- Durable construction
- Available with or without integrated divider
- Pushes products with minimum 13mm thickness to the front
- All components attach to front rail for easy installation and lane adjustment



Toolless Construction



Pusher track with L - Divider